



INSTALLATION INSTRUCTIONS

120V, G9 Pendant P160

Recessed and Trac Lighting

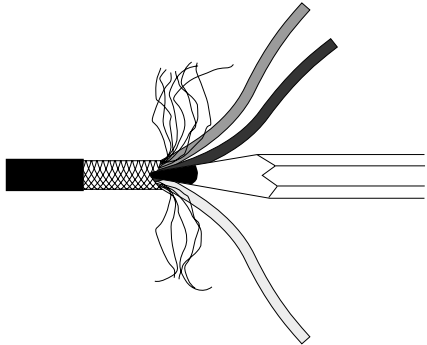
- ① Assemble hardware to shade as shown:
 - A. Insert long support screws through inner shade and screw into socket locator.
 - B. Insert inner shade through outer clear shade and align mounting holes. Insert short support screws through outer shade and screw into long support screws.
 - C. Once assembled, shade will rest atop the lamp holder.

- ② Determine desired cord length.

- ③ Using wire cutters, cut cord to desired length and carefully strip outer insulation (approximately 2").



- ④ Carefully remove the decorative metal braid with a pencil or similar object, then cut the braid away. Do not damage inner conductor insulation.

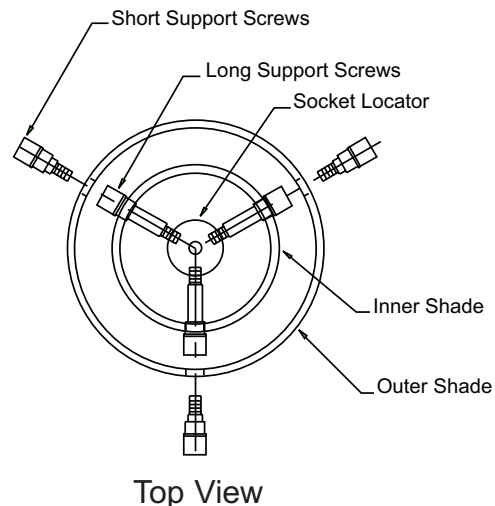
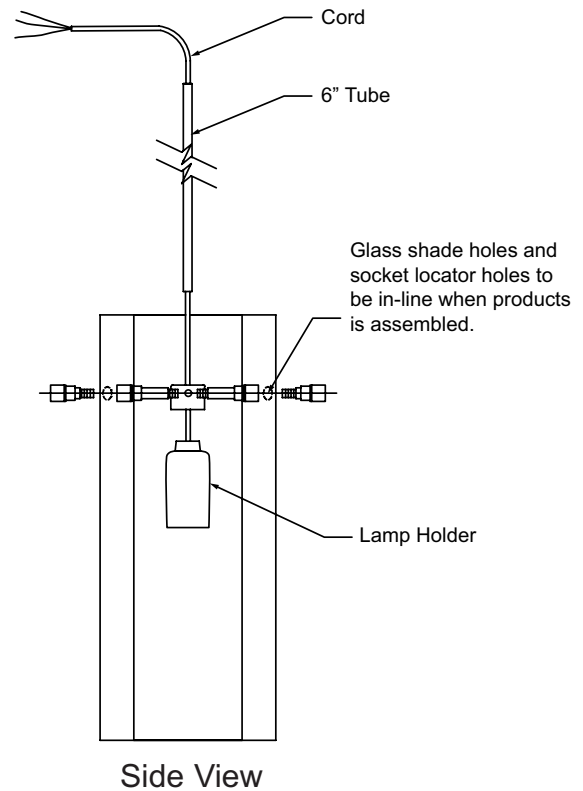


- ⑤ Strip away approximately 3/8" of insulation from each conductor.

- ⑥ Route pendant cord, as shown, through the socket locator.

- ⑦ Install 6" tube above the socket locator.

- ⑧ Follow additional installation instructions provided with power feeds (canopies or adapters).



WARNING

TURN OFF POWER TO THE JUNCTION BOX BEFORE INSTALLATION.
DO NOT BEND CORD TO A RADIUS LESS THAN 4", DOING SO MAY IMPACT THE APPEARANCE AND/OR ELECTRICAL CONTINUITY DUE TO INTERNAL STRESS.

WARRANTY

Juno Lighting Group warrants that its products are free from defects in material and workmanship for one year from date of purchase, two years from date of purchase for Energy Star® rated fixtures. Juno Lighting Group's obligation is expressly limited to repair or replacement, without charge, at Juno Lighting Group's factory after prior written return authorization has been granted. This warranty shall not apply to products which have been altered or repaired outside of Juno Lighting Group's factory. This warranty is in lieu of all other warranties, expressed or implied, and without limiting the generality of the foregoing phrase, excludes any implied warranty of merchantability. Also, there are no warranties which extend beyond the description of the product on the company's literature setting forth terms of sale.

1300 South Wolf Road • Des Plaines, IL 60018
PHONE (847) 827-9880 • FAX (847) 827-2925 • www.junolightinggroup.com



JUNO LIGHTING GROUP
by Schneider Electric